



THE ORIGINAL BUSHMAN FRIDGE FREEZER

12V / 240V : 35L - 52L



**A 100% AUSTRALIAN OWNED FAMILY
COMPANY SINCE 1982**



IT'S STRONG

DESIGNED FOR THE HARSHTEST AUSTRALIAN CONDITIONS



Strap it down anywhere. In the tray on your ute, in the boot or in the back of your car.

- Powder coated steel cabinet
- Tough polycarbonate lids
- High density insulation
- Heavy duty anchor points

HARNESS THE POWER AND RELIABILITY OF SECOP DANFOSS COMPRESSORS

Utilising over 50 years of German compressor technology, Secop Danfoss compressors set the bar globally in power and reliability. Internally sprung and rubber mounted to a dedicated base plate, you can rest assured the engine room of your fridge is first class.





IT'S EFFICIENT

ACHIEVE OUTSTANDING EFFICIENCY IN HIGH TEMPERATURES



The Bushman is right at home in 40° plus.

- Full size refrigerator condenser
- 120mm fan
- Superior ventilation and air flow
- 360° surround internal roll bond evaporator



DIGITAL THERMOSTAT

Reduce cycle-on times
and use less Ah per day.
Simply set the fridge at
your desired temperature
and the Bushman digital
thermostat does the rest.



IT'S VERSATILE

ONE FRIDGE. 3 SIZES



Adjust the fridge to suit your needs with the 10 litre extension collar and 7 litre high lid.



USE AS A FRIDGE AND FREEZER AT THE SAME TIME

Easily access your food using the handy lift-out storage baskets. No more rummaging required.

The Bushman can be used as a dedicated fridge, dedicated freezer or as a fridge, freezer and crisper at the same time. In 52 litre configuration, simply set your thermostat at -5°C . Your top basket keeps fruit and vegetables crisp, the middle basket cools dairy and cold meats, while the lower basket stays frozen.



TECH SPECS

Fridge

- Operates up to a 30° angle
- Set temperature range -22 °C to 10 °C
- Volume adjustable 35L, 42L, 45L, 52L
- Average 0.67 Ah with the fridge set at -4 °C in 24 °C ambient (16 Ah over 24 hours)

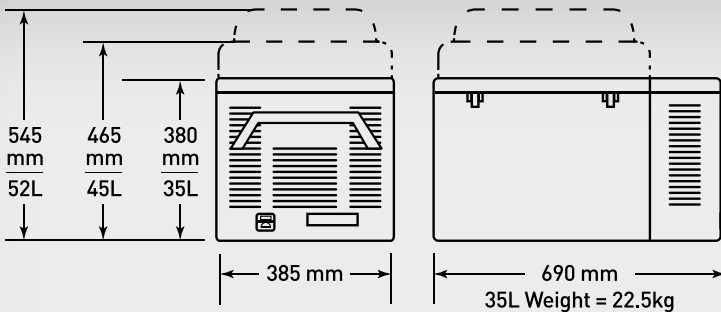
Compressor

- German designed Secop Danfoss compressor
- Whisper quiet operation
- Draws 2.4 A at 12.5 V
- Voltage range 12 V – 24 V DC
- 12 V Battery protection cut out 10.4 V

Warranty

- 3 Year fridge warranty
- 5 Years on compressor Australia wide

Measurements



EVERYTHING'S INCLUDED

\$1295 RRP

- Flat lid
- 7 litre high lid
- 10 litre extension collar
- 3 Storage baskets
- 12 V Power lead
- External 240 V adapter
- 4 Heavy duty anchor points

For the best service and advice.
Always buy direct from your
local dealer.

**+ FREE TRANSIT
COVER**



DP Refrigeration
Trading as Bushman Portable Fridges
ABN 89 152 366 478

3 Contour Close, Research VIC 3095
P (03) 9437 0737 **F** (03) 9437 1570
E aus@bushman.com.au
www.bushman.com.au